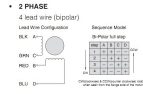


## Stepper motor 14HK2401



**The advantages :**  
 Flat motor - Reduced dimensions - High-precision smooth motion - Low noise - Low inertia - high-performance

### Associated products :

- > **Power supply**  
DRP-240-48
- > **Controller**  
FIRST PAP 40/5  
NANO PAP 30/1  
NANO PAP 40/3  
NANO PAP 40/3 avec  
NANO PAP avec cables

moons'

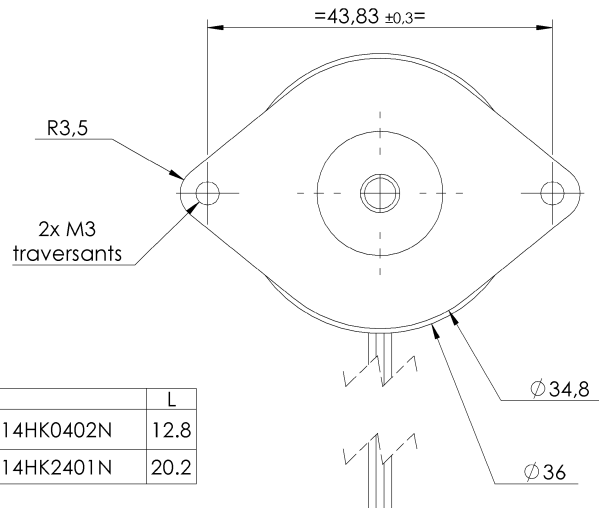
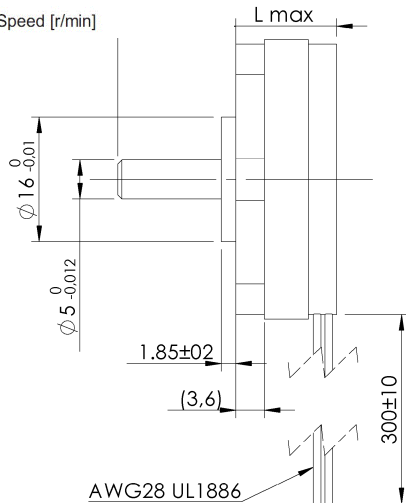
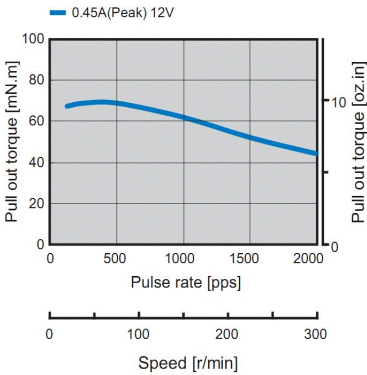
10 Ncm

Coil		BIPOLAR
Step angle	°	0.9
Nominal current per phase	A	0.45
Resistance per phase	Ohm	8.4
Inductance per phase	mH	9
Holding torque	Ncm	10
Rotor inertia	gcm <sup>2</sup>	11
Number of wires		4

Insulation class	B
Bearings	Roulements à billes 625ZZ
Magnets	NdFeB
Weight	110 g

### 14HK2401N

Conditions: Bi-polar Constant Current Driver  
 Driver: AMA MS3540M  
 Mode: Full Step



Edition: Juli 2022 / subject to modification

Version of 06/07/2022