

Compact DC geared motor 258



Associated products :

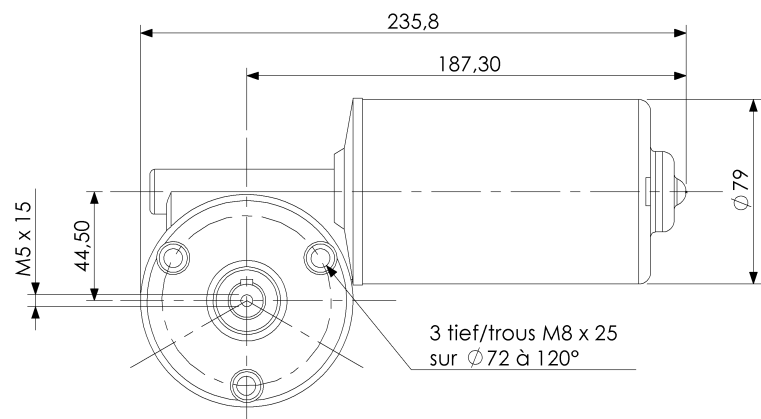
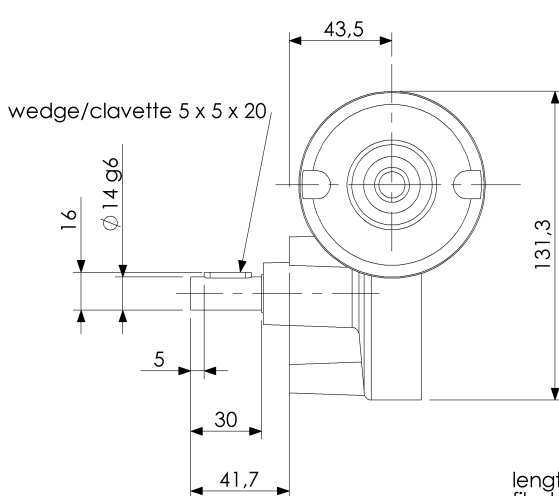
- > Power supply
 - DRP-240-24
 - DRP-480S-24
 - RS-150-24
 - SP-320-24
- > Controller
 - ESCON 50/5

doga

12 Nm - 15 Nm

Version	Reduction ratio	Number of stages	Efficiency	No-load speed (rpm)	Rated speed (rpm)	Rated Torque (Nm)	Rated Current (mA)
12V/30RPM	52	1	0.45	30	25	15.00	10
12V/50RPM	52	1	0.45	50	40	12.00	12
24V/30RPM	52	1	0.45	30	25	15.00	5
24V/50RPM	52	1	0.45	50	40	12.00	6

Commutation	Graphite
Number of commutator segments	12
Magnet	Ferrite
Reduction gear type	Roue et vis
Bearings	Self-lubricants
input stage	Steel
output stage	Delrin
Min ambient operating temperature	-40 °C
Max ambient operating temperature	80 °C
Minimum weight	3000 g



length of leads/
fils de longueur 150 mm.

Edition:Juli 2022 / subject to modification

Version of06/07/2022